

instalight® 3018



Instalight 3018 – Downlight set

Set of built-in LED spots for furniture and shop construction



instalight® 3018 in furniture and shop construction

Instalight 3018 – Downlight set

Application

- Furniture and shop construction
- Replaces halogen built-in spots, etc.

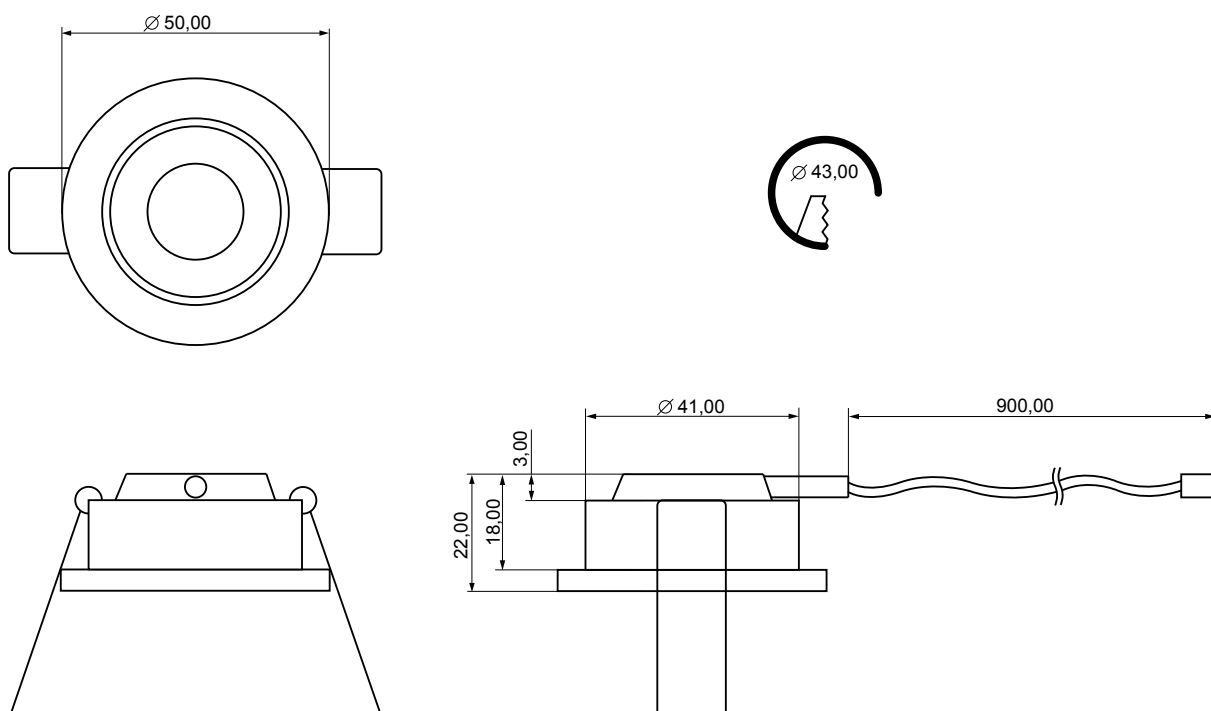
Fields of use

- Indoors
- Ceiling

Product characteristics

- Light colour: warm white (typ. 2800 K) or neutral white (typ. 3800 K)
- High colour rendering index:
Ra = approx. 85 at 2800 K
Ra = approx. 80 at 3800 K
- Supplied as set consisting of three LED modules
- Including all necessary connection leads and power supply for connection to AC 110-240 V

Technical drawing



Technical data

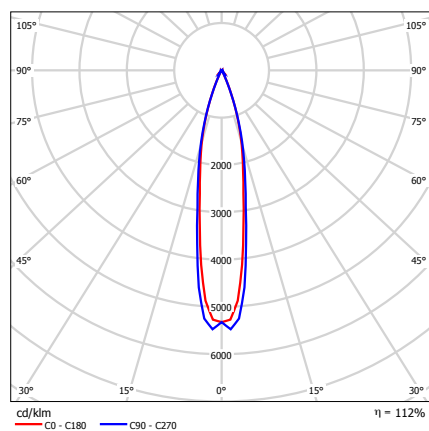
instalight® 3018 – LED module

Nominal current	max. 700 mA
Power consumption	2.5 W
Ambient temperature ta	-20 ... +35°C
Protection class	III
Protection	IP 20
Mark of conformity	MM
Dimensions (Ø x depth)	50 x 22 mm
Connection lead	900 mm, incl. plug connector
LED colours	warm white (2800° K), neutral white (3800° K)

instalight® 3018 – SNT ELI 12 W

Nominal voltage	AC 110...240 V~
Connected load	max. 12,5 W (= 5 LED modules in series)
Power consumption (with 3 LED modules)	9.4 W
Mains frequency	50/60 Hz
Ambient temperature ta	-20 ... +45°C
Protection class	II
Protection	IP20
Connection lead (primary)	H03VVH2-F 2x 0.75mm ² , 1500 mm incl. Euro plug
Marks of conformity	ENEC KEMA-KEUR, MM, F
Dimensions (LxWxH)	99 x 39 x 23.5 mm
Weight	70 g

Light distribution curves



instalight® i3018 / ± 10°

System components



instalight® 3018 – Downlight-Set

- 3 x LED module incl. 900 mm connection lead
- 1 x SNT ELI 12 W
- 1 x prolongation

Art.-No.	Version
589 940 00	Downlight set WWH (warm white)
589 940 10	Downlight set NWH (neutral white)