

AC1-5

77x35x77 mm



Two channel universal Controller, ON/OFF or PID

Main Features

- Runs on mains power supply
- PID with autotuning or ON/OFF control
- Main output on 12A relay or for SSR-piloting and auxiliary output on 5A relay
- Input for 0÷1V, 0/4÷20mA, PTC/NTC10K, TC J/K or Pt100
- 0.1 / 1°C or 1°F resolution
- Selectable Refrigerating/Heating (Dehumidifying/ Humidifying) control
- Absolute or relative temperature alarms
- ON/OFF button on front
- Load start limitation and safety operation in case of probe failure
- Quick programming through ZOT-AC1 key
- Connection to LAE supervisory systems

Applications

Temperature: Control of small cold stores, refrigerated cabinets and tables, heating systems, heated cupboards, bains-marie, ovens, laboratory equipment.

Humidity: Control of greenhouses, seasoning cells, cold rooms, air-conditioned rooms.

AC1-5	T	S	1	R	W	-B
	1	2	3	4	5	6
POS.	FUNCTION		DESCRIPTION			
1	Input	A = 0÷1V; I = 0/4÷20mA; J = TC 'J' / 'K'; P = Pt100; T = PTC/ NTC10K				
2	Connections	S = built-in screw terminals				
3	Output No.	1 = one; 2 = two				
4	Output type	R = relay; M = Out1 on SSR, Out2 on relay				
5	Supply	D* = 12Vac/dc; W = 115...230Vac 50/60Hz; 3 W				
6	Serial comm.	Nil = no; -A = TTL; -B = RS485				

* = in the version with 12Vac/dc power supply, the maximum voltage on the outputs is 50Vac/dc, in order to ensure safety insulations.

Serie AC1-5

Functions	AC1-5T..		AC1-5P..	AC1-5J..		AC1-5A..	AC1-5I..
Input type	PTC	NTC10K	Pt100	TC "J"	TC "K"	0÷1V	0/4÷20mA
Range	-50÷150°C	-40÷125°C	-100÷850°C	-50÷750°C	-50÷999°C	Configurable in setup	
Accuracy	±0.3°C	±0.3°C	±0.3°C ^(a) ; ±1°C ^(b)	±3°C		±3mV	±0.2mA
Resolution	0.1 / 1 °C / 1 °F			1 °C / °F		0.1/1	

^(a) -50÷150°C; ^(b) remaining range.

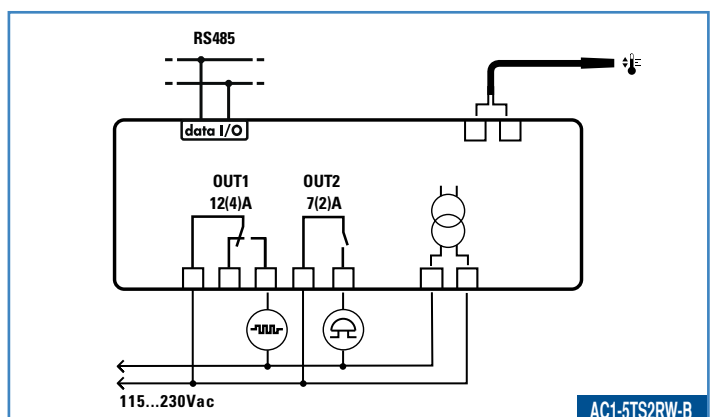
How to order:

AC1-5TS2RW-A (PTC/NTC10K input, screw terminals, 2 relays, 115÷230Vac supply voltage, TTL port)

AC1-5AS2MD-B (0÷1V input, screw terminals, output 1 on SSR drive, output 2 on relay, 12Vac/dc supply voltage, RS485 port)

On request, the AC1-5 is also available with gasket for a better protection between bezel and panel.

In order to know versions available, please consult LAE or our local dealer.



AC1-5TS2RW-B